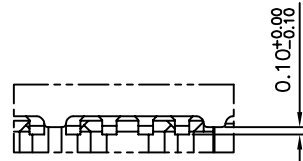
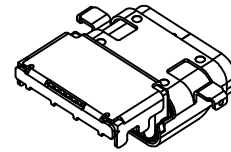
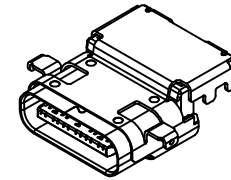


SECTION A-A



DETAIL C
SCALE 12:1

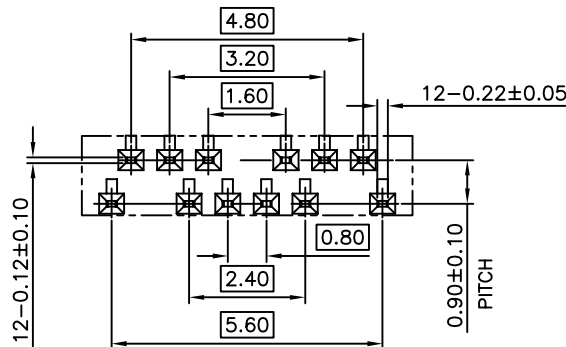
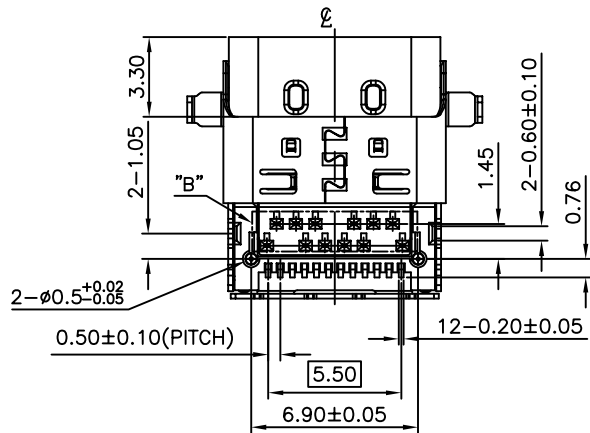
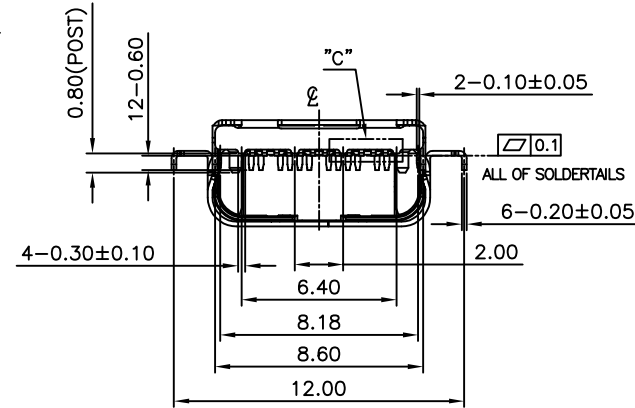
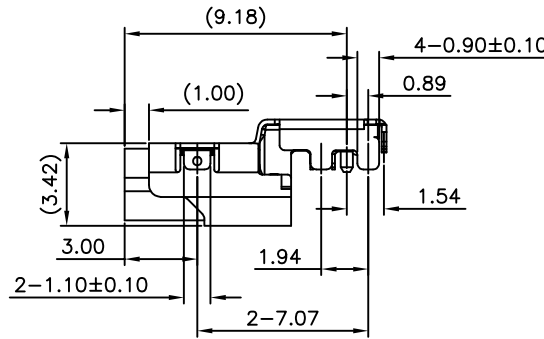
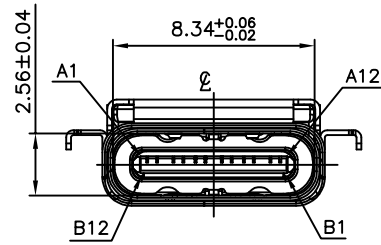


- NOTES:
- MATERIAL:
 - HOUSING: PA9T, HIGH TEMP., UL94V-0;
 - CONTACT: HIGH CONDUCTIVITY COPPER ALLOY
 - GROUND PIN: STAINLESS STEEL
 - RFI PAD: STAINLESS STEEL
 - OUTER SHELL: STAINLESS STEEL
 - INNER SHELL: STAINLESS STEEL
 - FINISH:
 - CONTACT:
 - D.30u" Au MIN. ON CONTACT AREA.
 - 50~100u" NICKEL UNDERPLATING OVERALL.
 - GROUND PIN & RFI PAD & SHELL :
 - 50u" MIN NICKEL UNDERPLATING OVERALL.
 - TRANSMISSION SPEED SUPPORT GEN1
 - SPEC. PLS. REFER TO PS-55907-xxxxx-xxx
 - PACKAGE PLS REFER TO 55939-xxxxx-xx-TRP
 - PART NUMBER

55939-024 X X-XXX

NO OF CKT: 011-NONE
PLATING: D: 30u" Au

PACKING: 0: TAPE & REEL



DETAIL B
SCALE 8:1

6	OUTER SHELL	1	METAL / NI PLATED
5	SHELL	1	METAL / NI PLATED
4	EMI RING	1	METAL / NI PLATED
3	GROUND PLATED	1	METAL / NI PLATED
2	CONTACT	24	COPPER ALLOY / Au PLATED
1	HALF PRODUCT	2	HI-TEMP. G.F. UL94V-0
ITEM	NAME	QTY	MATERIAL / FINISH

一般公差
TOLERANCES
X ±0.38 XX ±0.13
X ±0.25 XXX ±0.05
ANGLES X° ±3° X' ±2° X" ±1°

宏致電子股份有限公司
Aces Electronics Co., Ltd.

檢驗尺寸標示
SYMBOLS ⊕ ⊗ INDICATE CLASSIFICATION DIMENSION
⊕ MARK IS CRITICAL DIM.
⊗ MARK IS MAJOR DIM.

品名 (TITLE)
USB 3.1 TYPE C Mid-Mount
REC ASSY (T/H R/A)
圖號 (DWG.NO)
55939-024XX-XXX

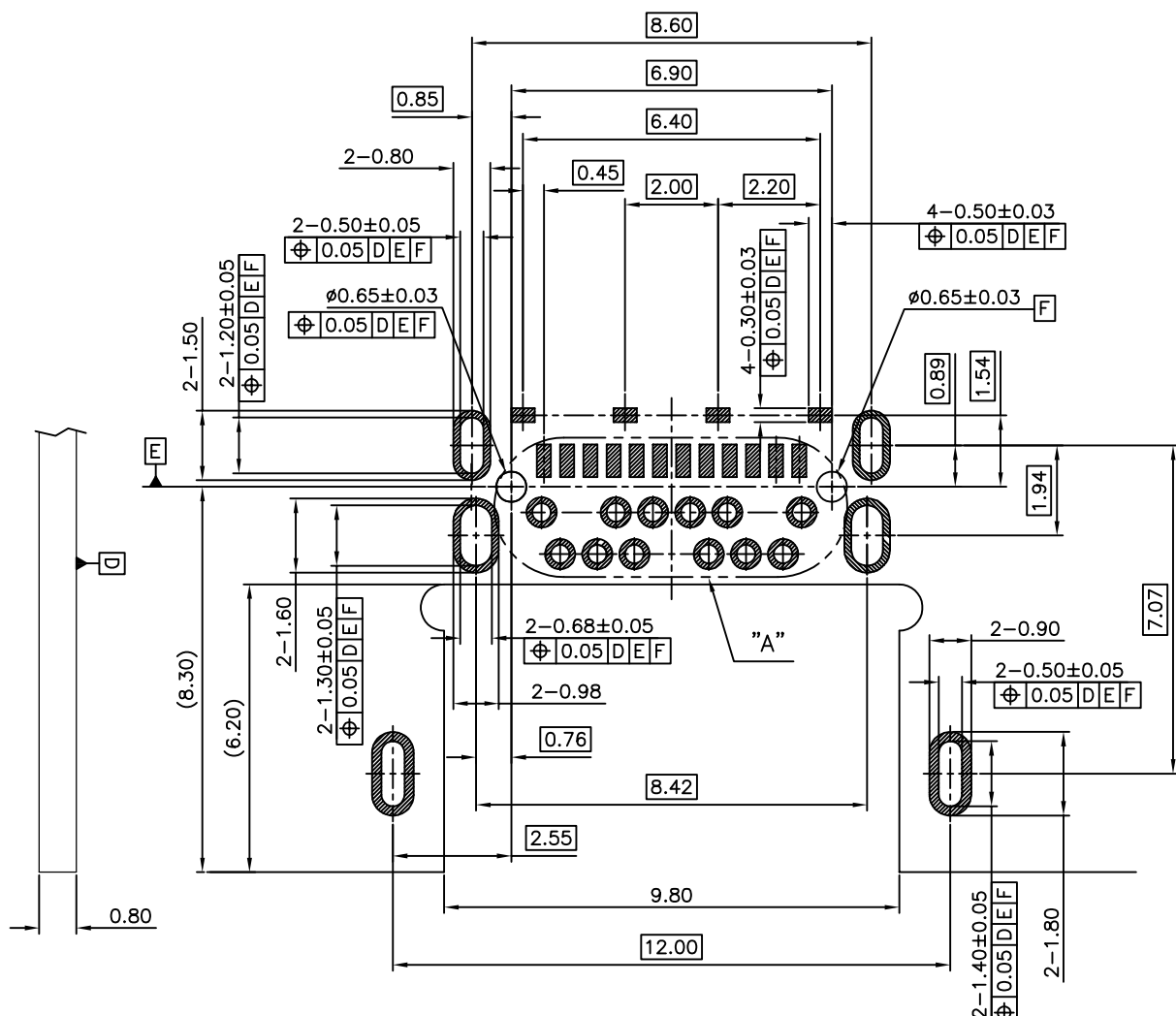
製圖 (DR)
16/06/20 JASON
審核 (CHKD)
RYAN
核准 (APPD)
K.HISATOMI

表面處理 (FINISH)

比例 (SCALE) 4:1
單位 (UNITS) mm

張數 (SHEET) 1 OF 3
SIZE A4
REV A

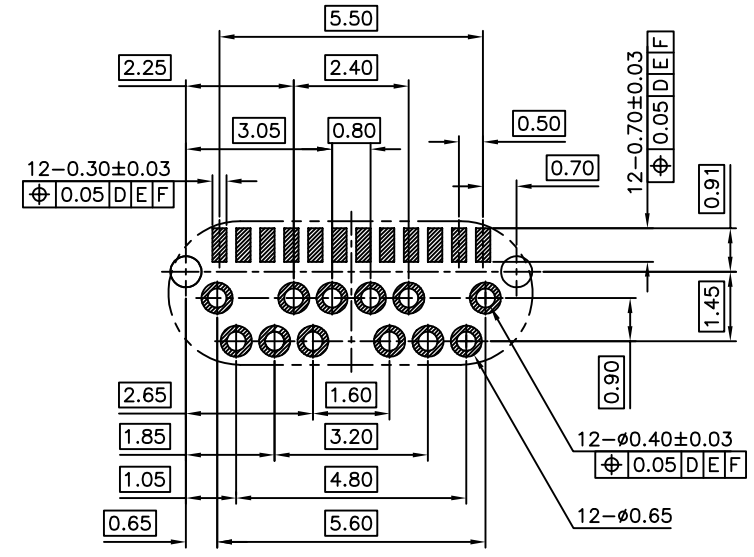
PIN NO.	A1	A2	A3	A4	A5	A6	A7	A8	A9	A10	A11	A12
SIGNAL NAME	GND	SSTXp1	SSTXn1	VBUS	CC1	Dp1	Dn1	SBU1	VBUS	SSRXn2	SSRXp2	GND
PIN NO.	B12	B11	B10	B9	B8	B7	B6	B5	B4	B3	B2	B1
SIGNAL NAME	GND	SSRXp1	SSRXn1	VBUS	SBU2	Dn2	Dp2	CC2	VBUS	SSTXn2	SSTXp2	GND



RECOMMENDED PCB LAYOUT
TOP VIEW
SCALE 8:1
THICKNESS IS 0.8mm
TOLERANCE ± 0.05

NOTES:

- 1.0 ELECTRICAL CHARACTERISTICS:
- 1.1 LOW LEVEL CONTACT RESISTANCE:
INITIAL : 40mΩ FOR ALL CONTACT MAX.
AFTER : 10mΩ MAX. CHANGE.
- 1.2 DIELECTRIC WITHSTANDING VOLTAGE :
100 VAC FOR 1 MINUTE SEA LEVEL.
- 1.3 INSULATION RESISTANCE :
100MΩ MIN.
- 1.4 CURRENT RATING :
VBUS AND GND CONTACT RATED AT 1.25 A EA .
PARALLELED FOR A TOTAL OF 5A .
- 2.0 MECHANICAL CHARACTERISTICS :
- 2.1 INSERTION FORCE : 20N MAX.
- 2.2 EXTRACTION FORCE : 0~1000 CYCLE 8N MIN. 20N MAX.
1001~10000 CYCLE 6N MIN. 20 N MAX.
- 2.3 DURABILITY : 10,000 CYCLES
- 3.0 OPERATING TEMPERATURE : -40°C TO +85°

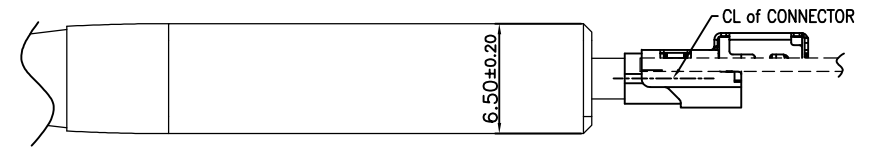
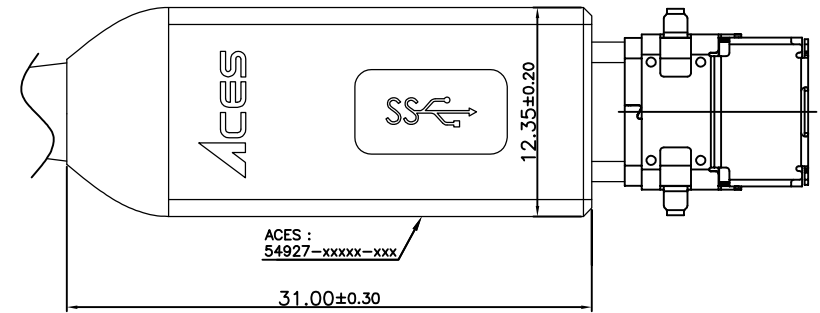
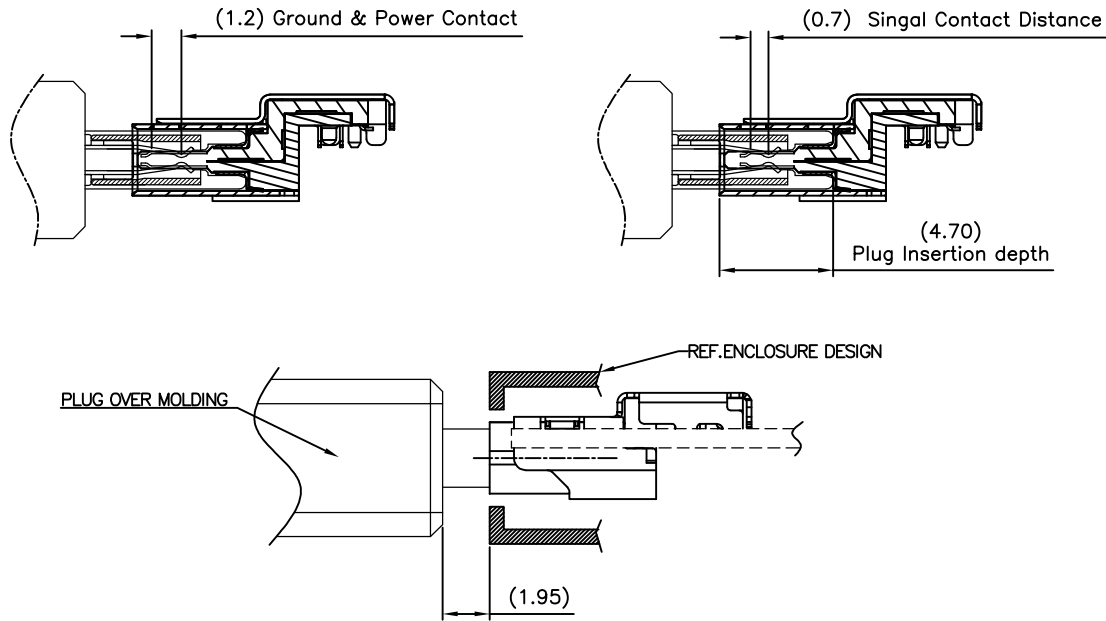


DETAIL A

一般公差 TOLERANCES X ±0.38 XX ±0.13 Y ±0.25 XXX ±0.05 ANGLES R° ±3° R° ±2° XX° ±1°		宏致電子股份有限公司 Aces Electronics Co.,Ltd.	
檢驗尺寸標示 SYMBOLS ⊕ ⊕ INDICATE CLASSIFICATION DIMENSION ⊕ MARK IS CRITICAL DIM. ⊕ MARK IS MAJOR DIM.	品名 (TITLE) USB 3.1 TYPE C Mid-Mount REC ASSY (T/H R/A)	製圖 (DR) 16'/06/20 JASON 審核 (CHKD) RYAN	核准 (APPD) K.HISATOMI
表面處理 (FINISH)	圖號 (DWG.NO) 55939-024XX-XXX	比例 (SCALE) 4:1	單位 (UNITS) mm
	張數 (SHEET) 2 OF 3	尺寸 (SIZE) A4	REV A



RECEPTACLE & PLUG MATING DRAWING



一般公差 TOLERANCES X ±0.38 XX ±0.13 Y ±0.25 XXX ±0.05 ANGLES ° ±3' ° ±2' ° ±1'		宏致電子股份有限公司 Aces Electronics Co.,Ltd.	
檢驗尺寸標示 SYMBOLS (C) (M) INDICATE CLASSIFICATION DIMENSION (C) MARK IS CRITICAL DIM. (M) MARK IS MAJOR DIM.	品名 (TITLE) USB 3.1 TYPE C Mid-Mount REC ASSY (T/H R/A)	製圖 (DR) 16/06/20 JASON 審核 (CHKD) RYAN	核准 (APPD) K.HISATOMI
圖號 (DWG.NO) 55939-024XX-XXX	比例 (SCALE) 4:1	單位 (UNITS) mm	張數 (SHEET) 3 OF 3
表面處理 (FINISH)		尺寸 (SIZE) A4	版數 (REV) A